

NAYLOR 92 DDP 27457 LOT T 8

Application for Permit for Sanitary Work by Licensed Sanitary Drainer or Licensed Sanitary Plumber.

TO ACCOMPANY PLAN OF DRAINAGE.

TO THE HAMILTON BOROUGH COUNCIL,

I, the undersigned, hereby apply for a permit under the provisions of "The Hamilton Borough By-law No. 2," to carry out the following work:—

Length of Drainage 46 No. of Gullies 1 No. of Inspections 1

Length of Bath Waste and size —

Length of Basin Waste and size —

Length of Sink Waste and size —

Length of Tub Waste and size —

If Waste Back Vented, give size and length —

Other Works: 1 W.C.

1 Ter Vent

Value of work.—Plumbing £ 8 : 10 : 0 Drainlaying £ 12 : 10 : 0

In accordance with the accompanying plans and particulars, on the premises situated

in 92 Naylor Street

Lot 8 of Section DP 27457 of Hamilton East

Name and Address of Licensed Sanitary Drainer D. A. Sellar

per S. Wilson

Name and Address of Licensed Sanitary Plumber u

Name and Address of Owner of Premises Mrs. Anderson

Whata Whata

Dated this 6 day of March 1934

(Signature of Applicant) D. A. Sellar
per S. Wilson

Hamilton Borough Council.

SANITARY INSPECTOR'S OFFICE.

HOUSE CONNECTION PLAN

No. 4048A.

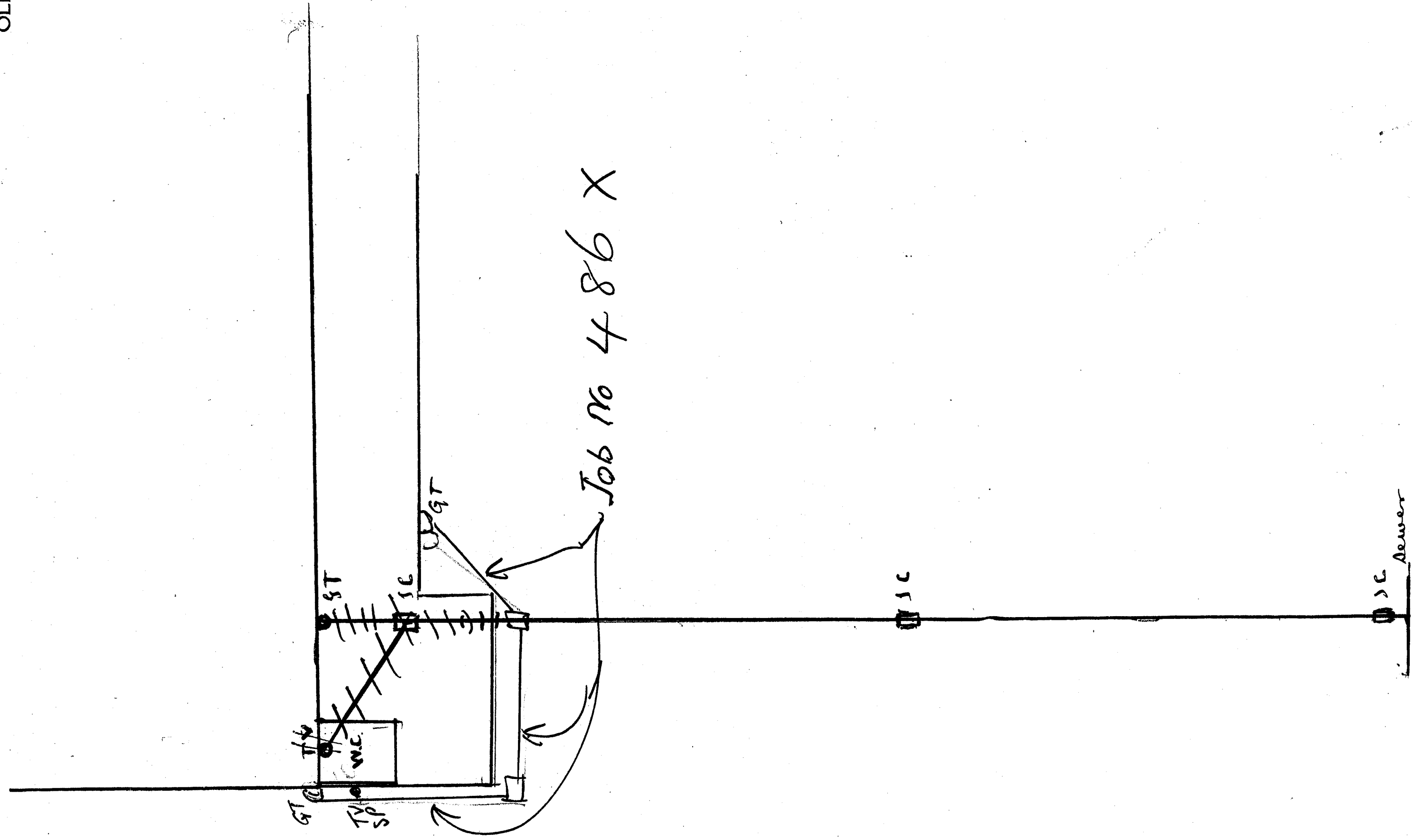
Date: 6th Jan 34.

SCALE: 1/8 IN. TO A FOOT.

NEW SEWAGE DRAINS: RED.

STORM WATER: DOTTED BLACK.

OLD DRAINS: FULL BLACK.



Approved
WR 8.3.34.

Owner Mr. Anderson

Section LOT 8

Street 92 Maylor St

Allotment DP 27457

Signature of Drainer or Plumber D. A. Sellar
R. S. Wilson